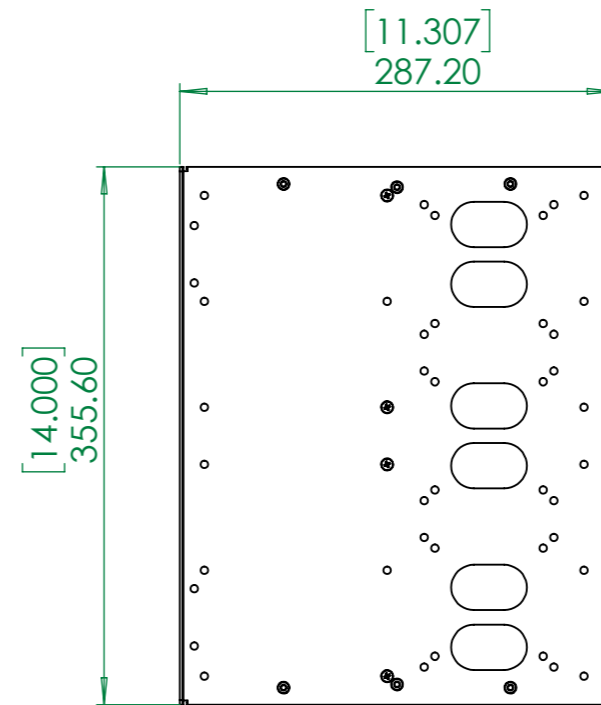
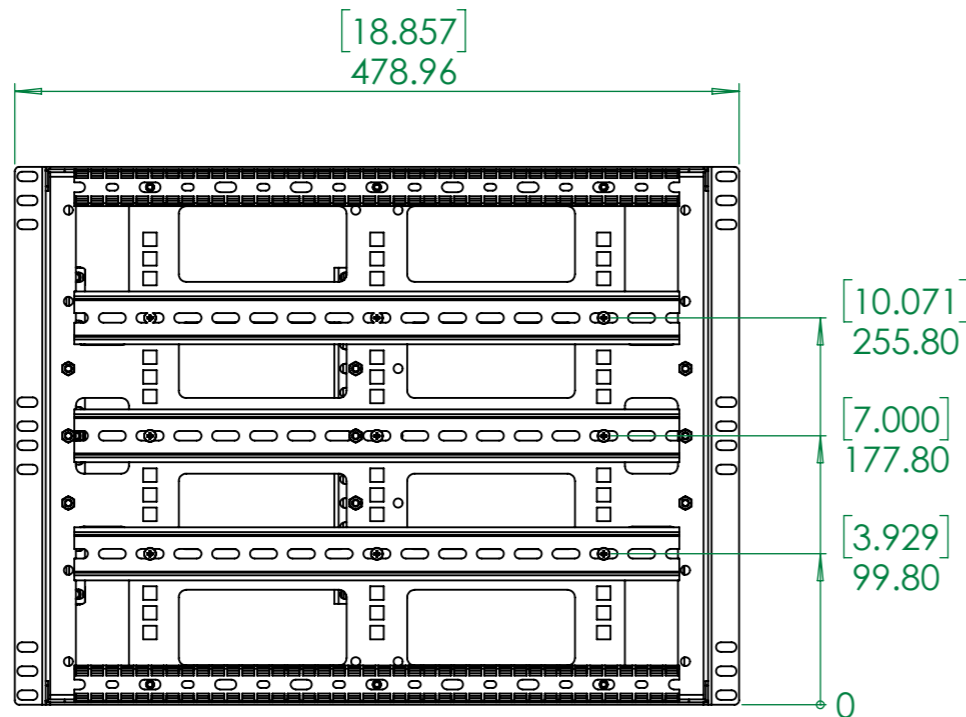
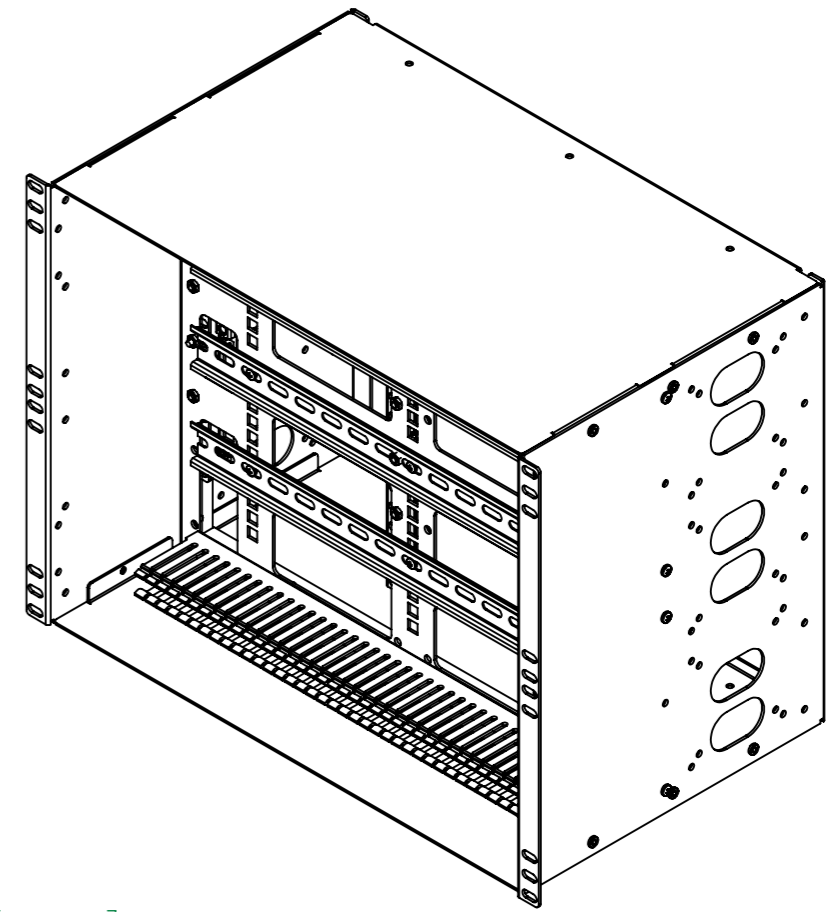
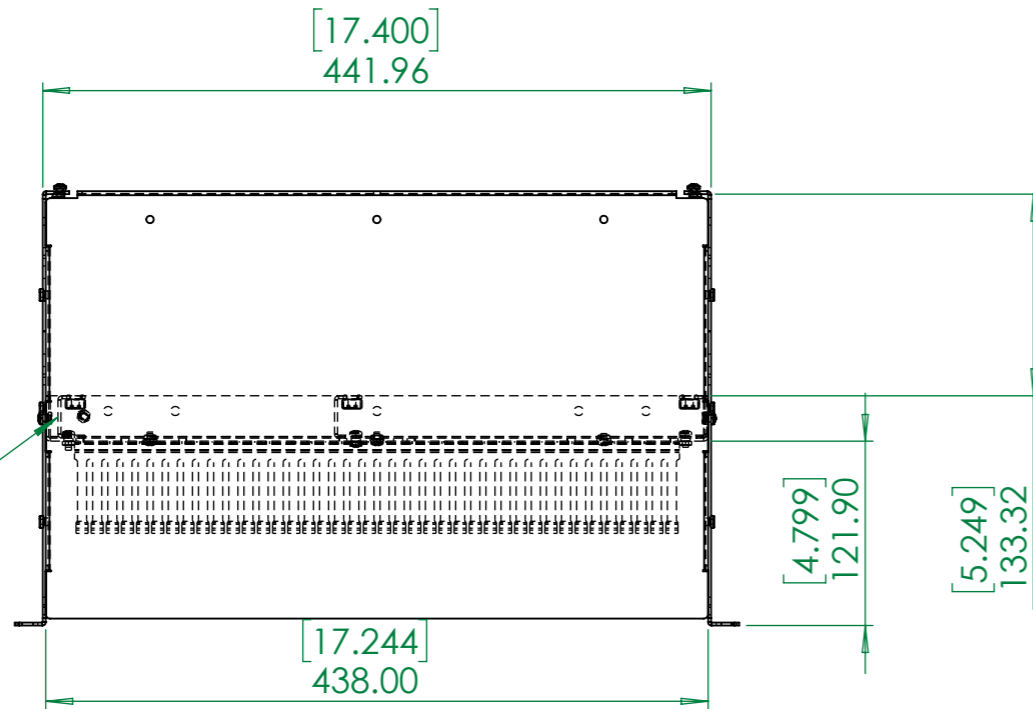


Din Rail at center mount position for front and rear DIN Rail installation.



Note:
 1. No sharp edges.
 2. RoHS: Manufacturer must ensure that all components used must comply with RoHS Regulation.

Industrial Automation & Enclosures
 A leading developer of industrial rackmount products
 TEL:(516)997-5050 FAX:(516)997-5784
 ©2016 IAE Inc /www.iaenclosures.com

MODEL	ERP100DB-8U	APPV'D		REVISION	V 1.0	UNSPECIFIED TOLERANCES: ±
PART NO.	68374	DATE	10/4/2024	FINISH	Black Powder Paint	SHEET 1 OF 1
PART NAME	8U Center Panel configuration			SCALE	1:5	UNIT:mm
				MATERIAL	14 Gauge Steel	